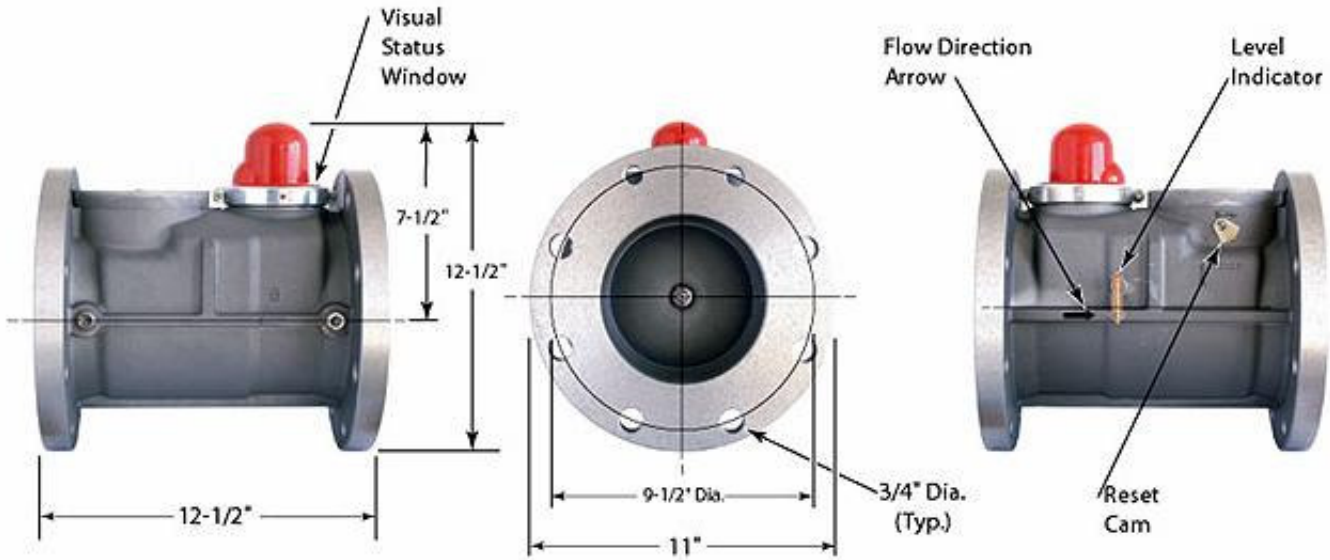


Model 317F-60 Flanged Valve

Horizontal or Vertical Flow



Valve Model#	CA-DSA No.	Length	Height	Diameter	Nominal Pipe Size	APPLICATION DATA		Diameter On Center	Diameter Hole (Typ.)	Number of Holes
						Max. Pressure	Fuel			
317F	45R-113R	12-1/2"	7-1/2"	11"	6"	60 psi	Dry Fuel Gas	9-1/2" Dia.	3/4" Dia.	8

Specifications & Response To Seismic Disturbance

- Manual Reset
- High flow efficiency with minimal pressure drop
- Positive closure, soft seal seating
- Visual open-close indicator
- Made in the USA
- Meets ASCE 25-97

The valve shall close within five seconds when subjected to a horizontal, sinusoidal oscillation with the following characteristics:

	Peak Acceleration	Period
1.	0.7G	0.13 Seconds
2.	0.4G	0.2 Seconds
3.	0.3G	0.4 Seconds
4.	0.25G	1.00 Seconds

The valve shall not close when subjected for five seconds to each of three horizontal, sinusoidal oscillations with the following characteristics:

	Peak Acceleration	Period
1.	0.4G	0.1 Seconds
2.	0.2G	0.2 Seconds
3.	0.15G	0.40 Seconds
4.	0.10G	1.00 Seconds




Capacity Charts

Capacity charts represent CFH of natural gas at 60° F

Use the following charts to determine the approximate loss of pressure (in inches water column) through the valve.

1. Identify maximum inlet pressure to the valve.
2. Identify maximum Cubic Feet/Hour - CFH
3. See Column 1 for the pressure drop.

6" EV317F-60 Capacity - CFH							
$C_v = 1766$							
317F-60 							
Delta P "W.C.	Operating Pressure						
	1 PSI	2 PSI	5 PSI	10 PSI	20 PSI	40 PSI	60 PSI
0.5	69,657	71,844	78,037	87,388	103,588	130,071	152,010
1	98,454	101,548	110,311	123,540	146,458	183,918	214,948
2	139,076	143,457	155,861	174,585	207,016	260,014	303,910
5	219,144	226,093	245,764	275,445	326,819	410,721	480,179

Horizontal Flow
317F-60



Vertical Flow – Down
VT317F-60



Vertical Flow - Up
VB317F-60

